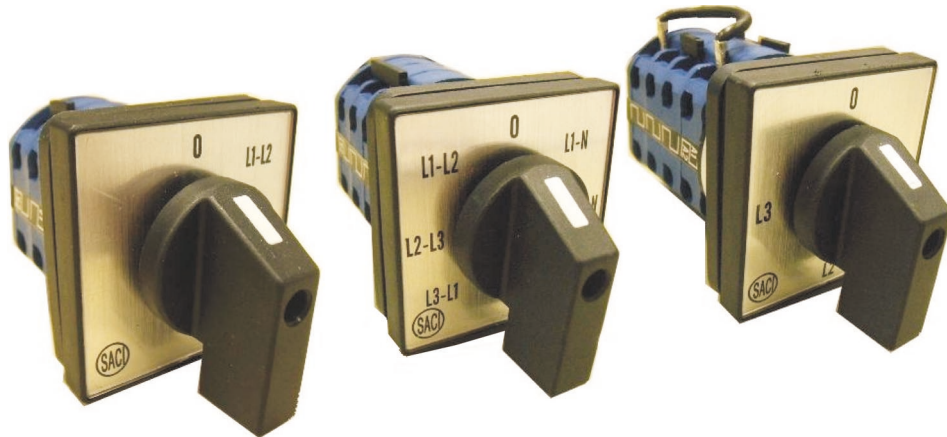


CURRENT AND VOLTAGE SELECTOR SWITCHES



These rotary switches mainly applies to 440 V AC and below, AC 50Hz or 240 V DC circuits.

Standards IEC 60947-3 and IEC 60947-5-1.

Working conditions:

Room temperature: -25 to +40°C

Humidity: 50% with 40°C, higher humidity is allowed with lower temperature.

Technical features:

Rated working voltage: 440 V

Rated working current: 20 A

Mechanical life:

Without load: $0,1 \times 10^6$ times, operation frequency 120 times/h.

With load: $0,03 \times 10^6$ times, operation frequency 120 times/h.

CURRENT SELECTOR SWITCH

Model: CCP4

3 current transformers, 1 pole

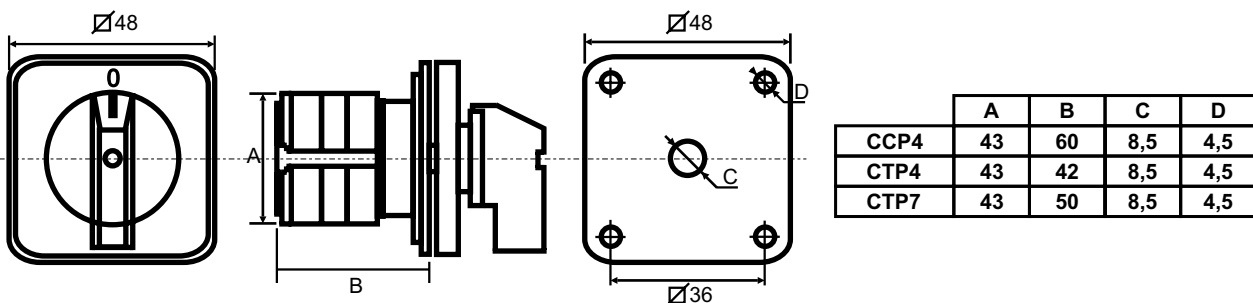
VOLTAGE SELECTOR SWITCH

Model: CTP4

3 phase to phase and zero

Model: CTP7

3 phase to phase, 3 phases to neutral and zero



S.A DE CONSTRUCCIONES INDUSTRIALES
 Aragonese St. 15 - 28108 Alcobendas Madrid Spain
 Phone +34 - 91- 519.02.45 Fax: +34 -91-416.96.46
<http://www.sacinet.com>
 e-mail: saci@saci.es

